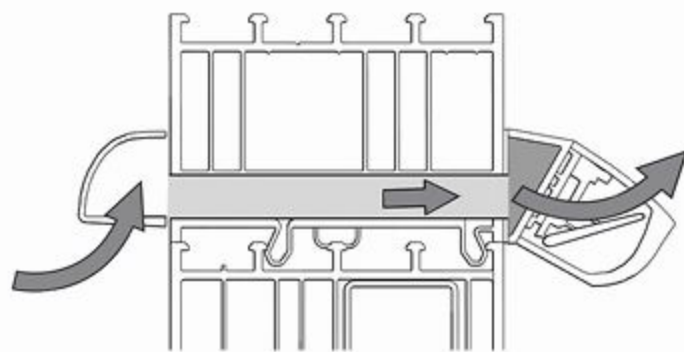


$L \times h = 2 \times (172 \times 16) \text{ mm}$



$L \times h = 2 \times (172 \times 12) \text{ mm}$